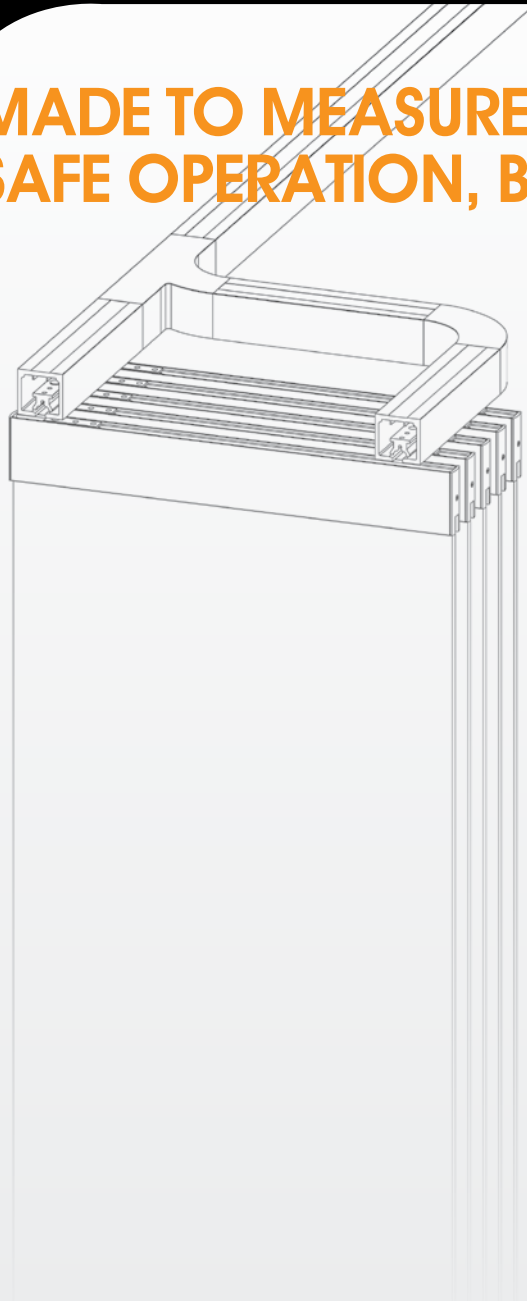




**SLIDING-STACKING
DOOR SYSTEM SS-100**

SLIDING-STACKING DOOR SYSTEM SS-100

MADE TO MEASURE OPTIONS, SAFE OPERATION, BETTER USER COMFORT



ESTRON Sliding-Stacking Door system is an aluminium track and hanger system which transports semi-frame glass panels and aluminium framed doors through 45, 90, 135 degree switches for closing off big opening areas by stacking the panels or doors. The advantage of this system is that there is no need to use a floor guide or channel guide on the floor. The only visible parts are the top and bottom door rails, so that even when the system is closed, it presents a clean, attractive, transparent frontage. Therefore the product is ideally suited for shop fronts, hotels, convention centers, corporate offices and private houses.

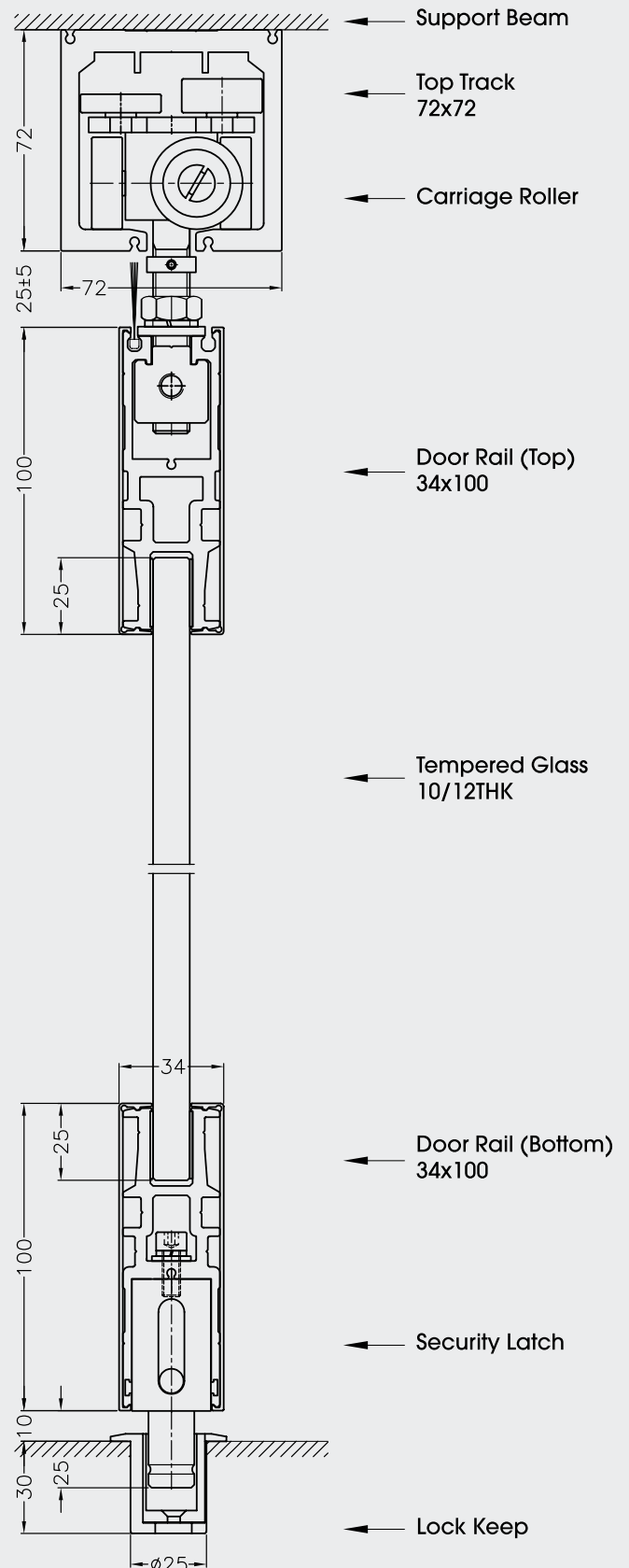


SLIDING-STACKING DOOR SYSTEM SS-100

TYPICAL INSTALLATION

ESTRON sliding-stacking door systems are made up of the following components:

- Top Track for direct mounting to a steel girder or similar on the ceiling.
- Top and bottom rails composed of base rail, clip on covers and end caps, which are clamped onto the toughened glass panels.
- Roller, carriers, and carrier profiles which ensure that the panels sliding easily with minimum effort.
- Stacking areas, in which the sliding panels are neatly and compactly stacked when the door is opened.



Door DIMENSION

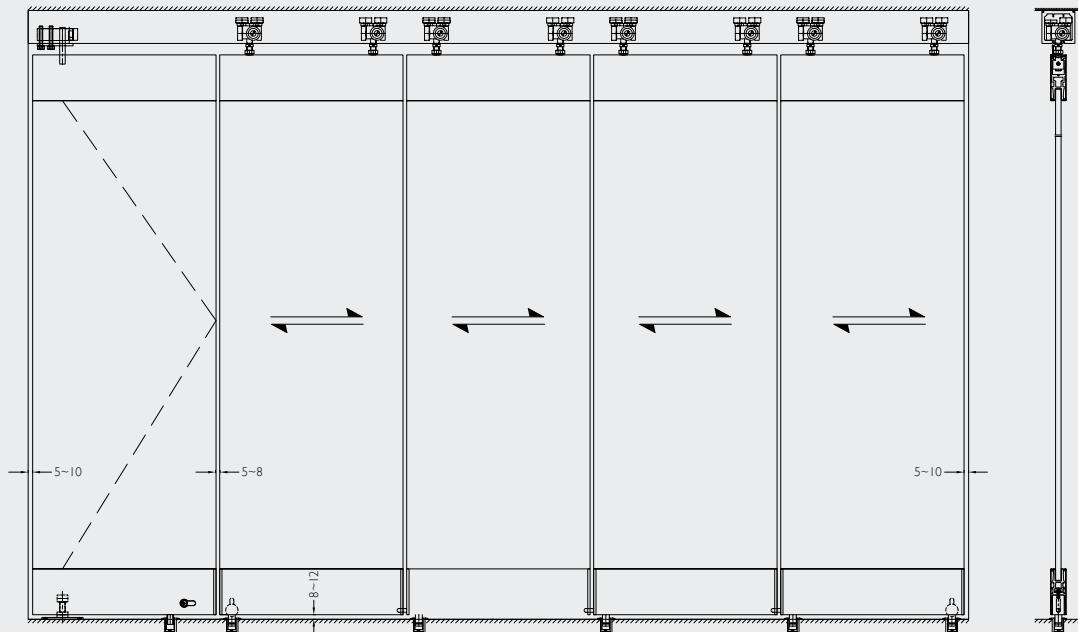
Max. Panel Height: up to 3600mm

Max. Panel Width: up to 1100mm

Optimal Panel size for easy sliding approx: 800mm x 2500mm

SLIDING-STACKING DOOR SYSTEM SS-100

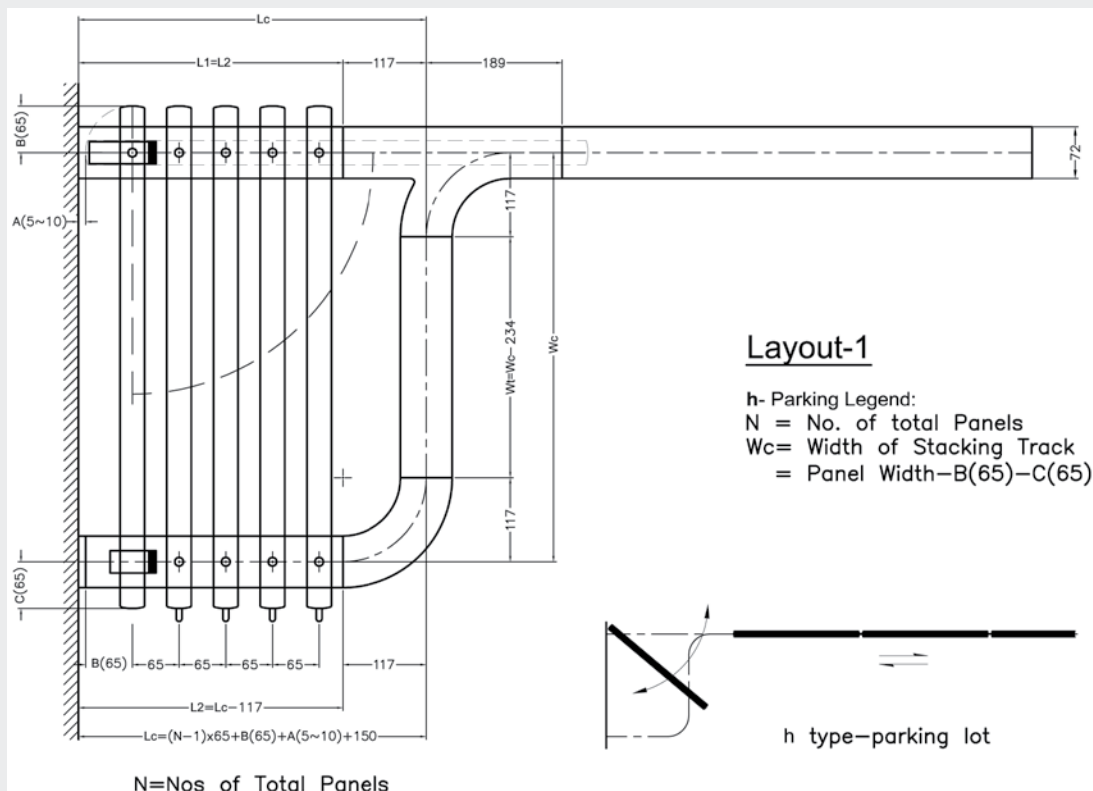
STACKING LAYOUT



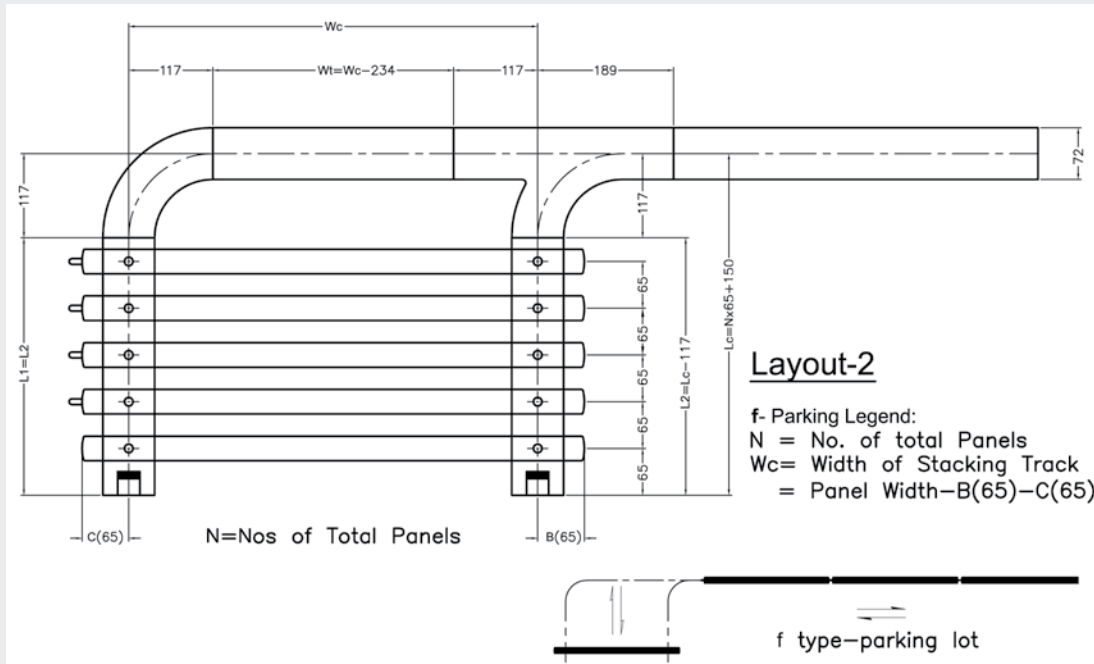
Most popular stacking layout, where the end panel might be a swing door.

1. Swing door (end panel)
2. Sliding panel
3. Stacking area (when the system is opened, sliding panels can be arranged to sliding to the left or to right)

TYPICAL PARKING CONFIGURATION

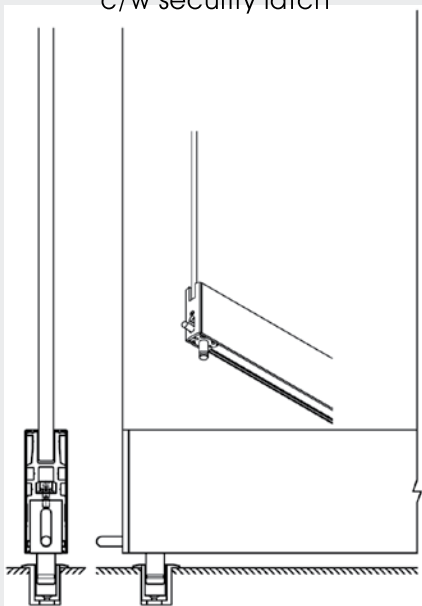


SLIDING-STACKING DOOR SYSTEM SS-100

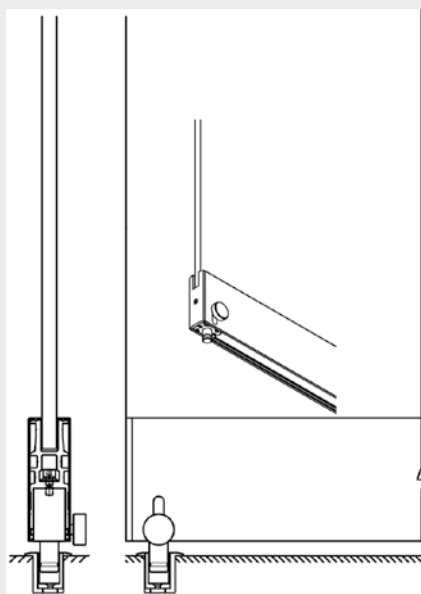


CROSS SECTION

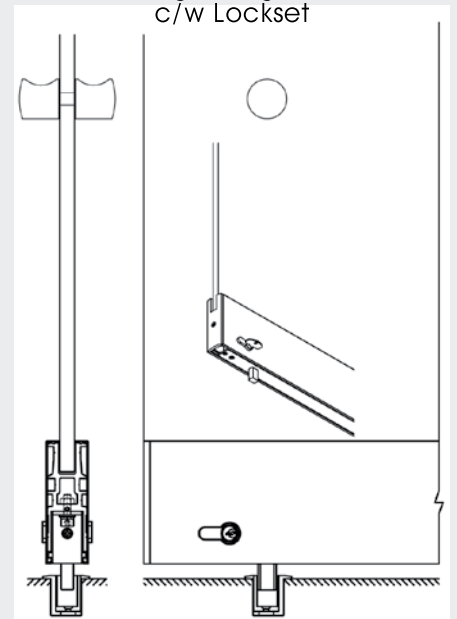
Sliding Panel
c/w security latch



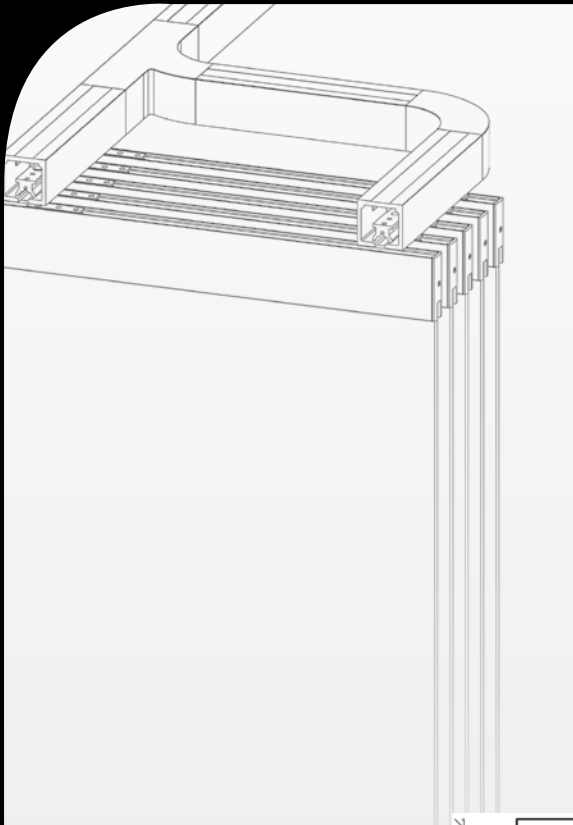
Sliding Panel c/w
Thumb Push latch



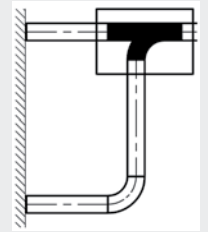
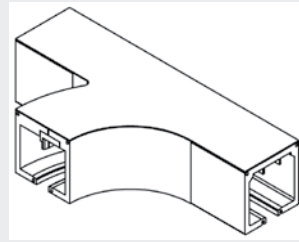
Sliding/Swing Panel
c/w Lockset



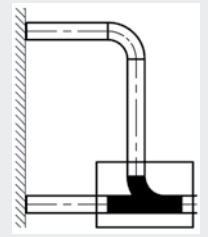
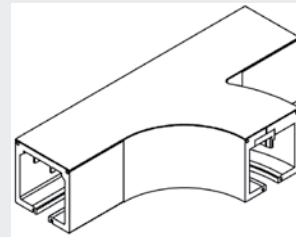
SLIDING-STACKING DOOR SYSTEM SS-100



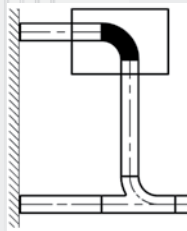
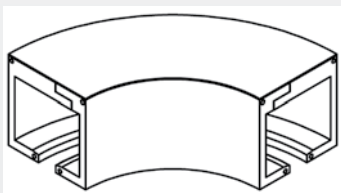
ALUMINIUM TOP TRACK



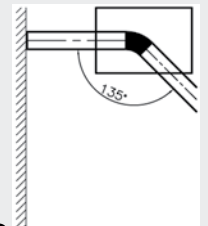
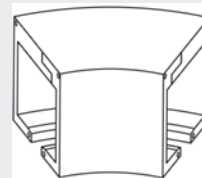
DWG-A



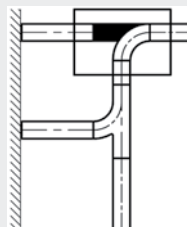
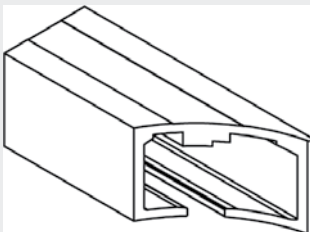
DWG-B



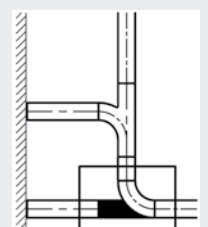
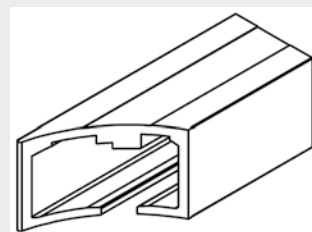
DWG-C



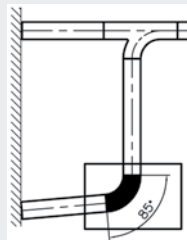
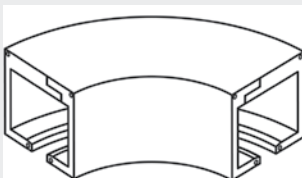
DWG-D



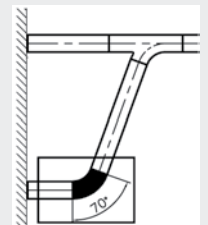
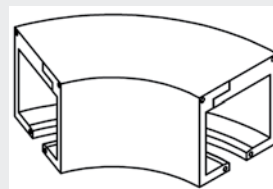
DWG-E



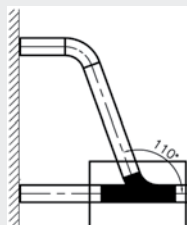
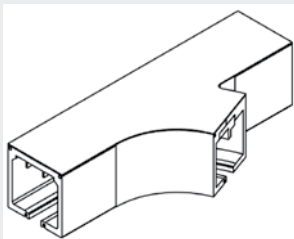
DWG-F



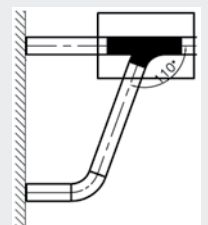
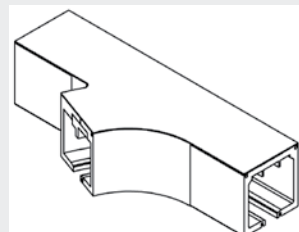
DWG-G



DWG-H



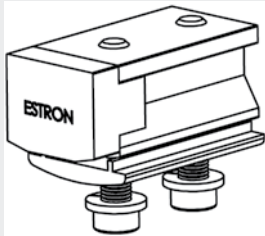
DWG-I



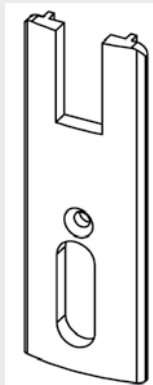
DWG-J

SLIDING-STACKING DOOR SYSTEM SS-100

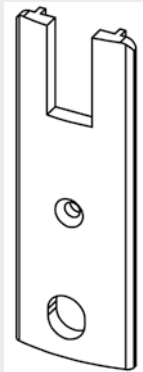
ACCESSORIES



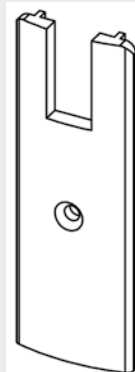
Stopper



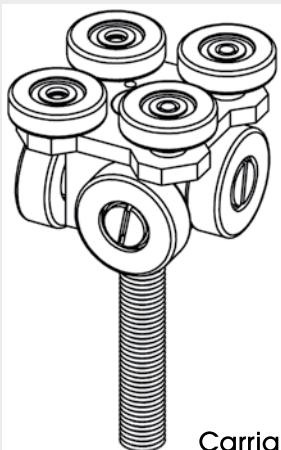
End Cap 3



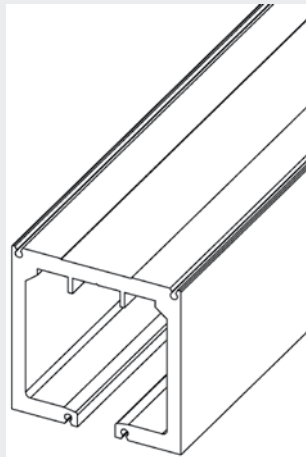
End Cap 2



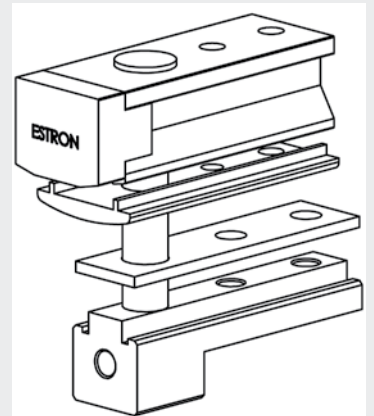
End Cap 1



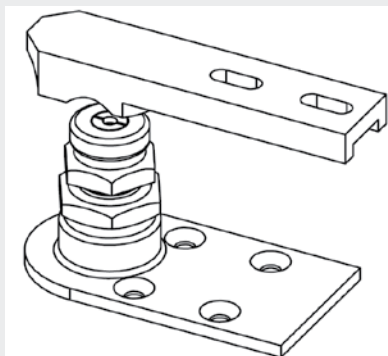
Carriage Roller



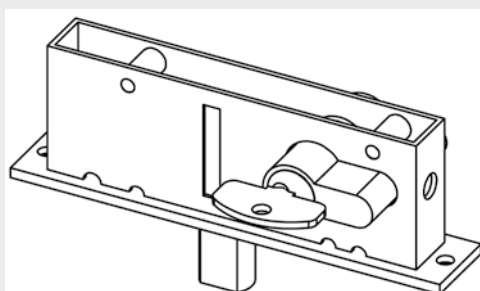
Running Track



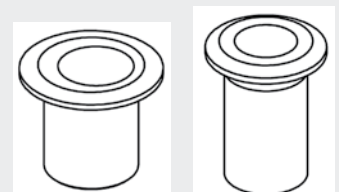
Top Pivot



Floor Pivot



Lock Set



Bolt Keeper



